

USER'S GUIDE

TABLE OF CONTENTS

Welcome	1
Safety Instructions	2
Controls At A Glance	3-4
Special Features	5
Operating Tips	6
Care and Cleaning	7
Storing the Washer	7
Water Use	7
Before You Call	8-9
Notes	10
Warranty	Back Page



Welcome



Welcome and congratulations on your purchase of a Consumer Rated No.1 Maytag Washer! Your complete satisfaction is very important to us.

Read this manual for best results. It contains instructions to acquaint you with proper operating and maintenance procedures.

In addition you will find a **Laundering Tips** guide packed with your washer. It contains information on recommended laundering procedures, stain removal and special laundering situations.

Save time and money. If something should go wrong, we suggest consulting the “Before You Call” section in the back of this book. It is designed to help you solve basic problems before consulting a servicer.



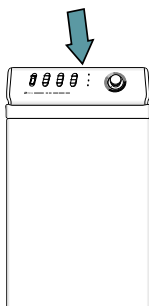
However, should you need assistance in the future, it is helpful to:

1) Have complete model and serial number identification of your washer. This is located on a data plate on the top edge of the control panel. Record these numbers below for easy access.

Model Number

Serial Number

Date of Purchase



2) **IMPORTANT: Keep this guide and the sales receipt in a safe place for future reference. Proof of original purchase date is needed for warranty service.**

If you have questions, write us (include your model number and phone number) or call:

Maytag Appliances Sales Company
Attn: CAIR® Center
P.O. Box 2370
Cleveland, TN 37320-2370
1-800-688-9900 USA
1-800-688-2002 CANADA
1-800-688-2080 USA TTY (for deaf, hearing impaired or speech impaired)
Mon.–Fri., 8am–8pm Eastern Time
Internet: <http://www.maytag.com>

For service and warranty information, see back page.

NOTE: In our continuing effort to improve the quality of our appliances, it may be necessary to make changes to the washer without revising this guide.

Important Safety Instructions

⚠ WARNING — To reduce the risk of fire, explosion, electric shock, property damage or injury to persons when using your appliance, follow basic precautions, including the following:

1. Read all instructions before using the appliance.
2. As with any equipment using electricity and having moving parts, there are potential hazards. To use this appliance safely, the operator should become familiar with the instructions for operation of the appliance and always exercise care when using it.
3. Do not install or store this appliance where it will be exposed to the weather.
4. Install and level washer on a floor that can support the weight.
5. This appliance must be properly grounded. Never plug the appliance cord into a receptacle which is not grounded adequately and in accordance with local and national codes. See installation instructions for grounding this appliance.
6. To avoid the possibility of fire or explosion:
 - a. Do not wash items that have been previously cleaned in, washed in, soaked in, or spotted with gasoline, dry-cleaning solvents, other flammable or explosive substances as they give off vapors that could ignite or explode. Hand wash and line dry any items containing these substances.

Any material on which you have used a cleaning solvent, or which is saturated with flammable liquids or solids, should not be placed in the washer until all traces of these liquids or solids and their fumes have been removed.

These items include acetone, denatured alcohol, gasoline, kerosene, some liquid household cleaners, some spot removers, turpentine, waxes and wax removers.
 - b. Do not add gasoline, dry-cleaning solvents, or other flammable or explosive substances to the wash water. These substances give off vapors that could ignite or explode.
 - c. Under certain conditions, hydrogen gas may be produced in a hot water system that has not been used for 2 weeks or more. **HYDROGEN GAS IS EXPLOSIVE.** If the hot water system has not been used for such a period, before using a washing machine or combination washer-dryer, turn on all hot water faucets and let the water flow from each for several minutes. This will release any accumulated hydrogen gas. As the gas is flammable, do not smoke or use an open flame during this time.
7. Do not reach into the appliance if the tub or agitator is moving.
8. Do not allow children to play on or in the appliance. Close supervision of children is necessary when the appliance is used near children.
9. Do not tamper with controls.
10. Do not repair or replace any part of the appliance or attempt any servicing unless specifically recommended in published user-repair instructions that you understand and have the skills to carry out.
11. Unplug power supply cord before attempting to service your washer.
12. The agitator should not be removed. If the agitator is removed, it must be replaced by pushing down completely and the locking screw tightened before the washer is operated.
13. Store laundry aids and other material in a cool, dry place where children cannot reach them.
14. Do not wash or dry items that are soiled with vegetable or cooking oil. These items may contain some oil after laundering. Due to the remaining oil, the fabric may smoke or catch fire by itself.
15. Do not use chlorine bleach and ammonia or acids (such as vinegar or rust remover) in the same wash. Hazardous fumes can form.
16. Do not machine wash fiberglass materials. Small particles can stick to fabrics washed in following loads and cause skin irritation.
17. Before the appliance is removed from service or discarded, remove the door to the washing compartment.
18. Inlet hoses are subject to damage and deterioration over time. Check the hoses periodically for bulges, kinks, cuts, wear or leaks and replace them every five years.

Save These Instructions

Controls At A Glance

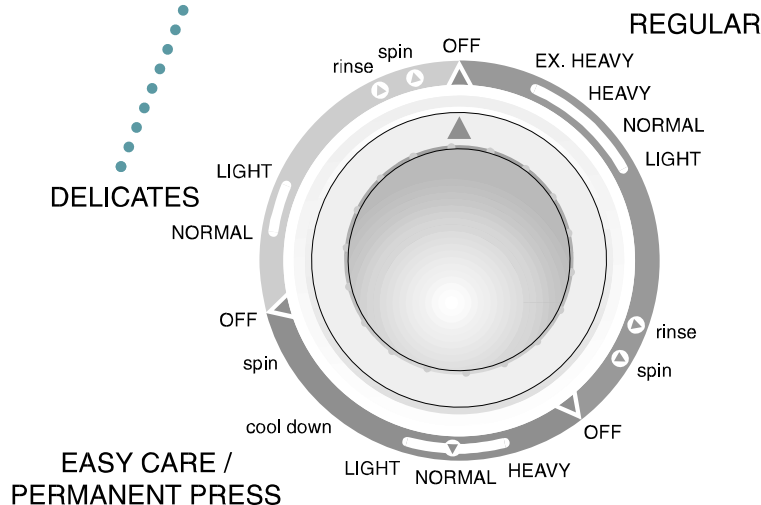
Step 1 Select Cycle (Features may vary according to model.)

Press the control knob in and turn clockwise to the desired cycle. Pull the knob out to start the washer.

DELICATES is designed for items requiring delicate wash action. Cycles available:

NORMAL – approximately 10-12 minutes of wash time

LIGHT – approximately 7-9 minutes of wash time



EASY CARE/PERMANENT PRESS is designed to minimize wrinkles with a cool-down spray rinse following the wash. Cycles available:

HEAVY – approximately 10-14 minutes of wash time

▼ **(NORMAL)** – approximately 7-9 minutes of wash time

LIGHT – approximately 5-6 minutes of wash time

REGULAR is used for normal, sturdy fabrics. Cycles available:

EXTRA HEAVY (select models) – approximately 16-18 minutes of wash time

OR

PRESOAK (select models) – soaks load for approximately 8 minutes to help remove soils. The washer moves directly into a Regular Heavy cycle.

OR

SUPER WASH (select models) – extends Regular cycles by providing up to 24 minutes of wash time for very soiled durable loads.

OR

SOAK ONLY (select models) – soaks heavily-soiled or stained items as desired. The user then advances the control knob into a wash cycle or spin and drain. (Overnight soaking is not recommended.)

AND

HEAVY – approximately 14-18 minutes of wash time

▼ **(NORMAL)** – approximately 10-13 minutes of wash time

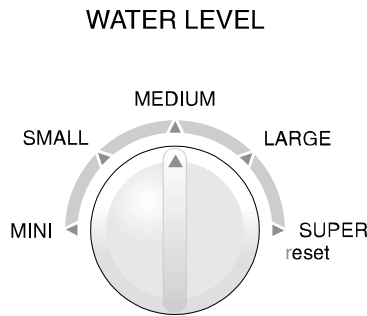
LIGHT – approximately 7-9 minutes of wash time

Step 2 Select Water Level (Features may vary according to model.)

Turn the **WATER LEVEL** knob to the setting that matches the size of the load.

Select models offer infinite settings. Choose a specific setting or any point in between.

If more water is needed once the fill is complete, turn the knob to **reset** and then to the proper setting.

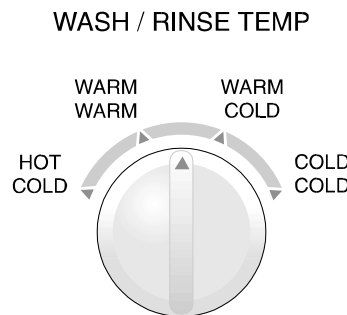


WATER LEVEL SETTING	LOAD SIZE
Super	3/4 – Full
Large (select models)	1/2 – 3/4 Full
Medium	1/3 – 1/2 Full
Small (select models)	1/3 Full
Mini	1/4 Full

REMEMBER: Items must circulate freely for best results.

Step 3 Select Water Temperature

Turn the **WASH/RINSE** knob to the desired water temperatures. Follow the garment care label for best results. Use the chart at right as a guide.



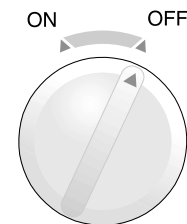
REMEMBER: In wash water temperatures below 65° F, detergents do not dissolve well or clean well. Care labels define cold water as up to 85° F.

WASH/RINSE TEMPS	LOAD TYPE
Hot/Cold	White and heavily soiled, color-fast items
Warm/Warm (select models)	Delicate items
Warm/Cold	Moderately soiled, colored items; most Easy Care/Permanent Press items
Cold/Cold	Brightly colored, lightly soiled items; washable woolsens

Step 4 Select Extra Rinse (if desired)

OPTION	USE
Extra Rinse (select models)	Provides additional rinse at the end of the cycle to more completely remove laundry additives, suds, perfumes, etc.

EXTRA RINSE



Step 5 Start Washer

- Add detergent.
- Add load and close lid.
- Pull out control knob to start.

NOTE: The wash/spin speeds are automatically programmed to assure proper agitation and spinning for each load type. **REGULAR** cycles will provide a normal wash/spin speed. **EASY CARE/PERMANENT PRESS** will have a normal wash/spin speed along with a cool-down spray rinse. **DELICATES** cycle will have a gentle wash and normal final spin speed.



Special Features

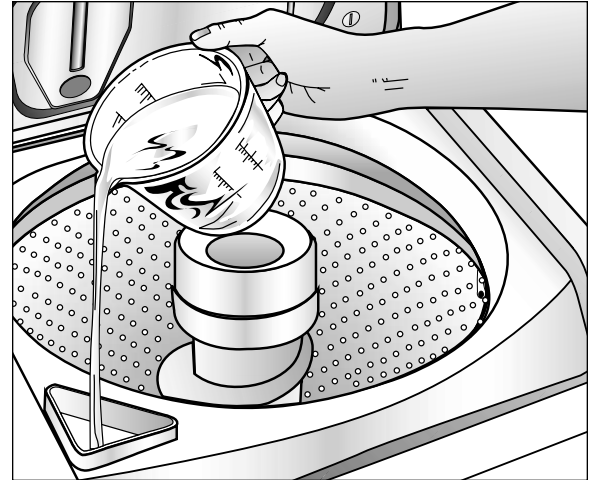
Bleach Dispenser (select models)

The dispenser automatically dilutes liquid chlorine bleach before it reaches your wash load. To use, follow these steps:

1. Measure liquid chlorine bleach carefully, following the instructions on the bottle.
2. Add the bleach to the dispenser before adding the load. Avoid splashing or over-filling the dispenser.

NOTE:

- Never pour undiluted liquid chlorine bleach directly onto the load or into the wash tub. It is a powerful chemical and can cause fabric damage, such as tearing or color loss, if not used properly.
- If you prefer to use color-safe, non-chlorine bleach, pour it into the wash tub with your detergent. Do not pour non-chlorine bleaches into the bleach dispenser.



Pour liquid chlorine bleach into bleach dispenser.

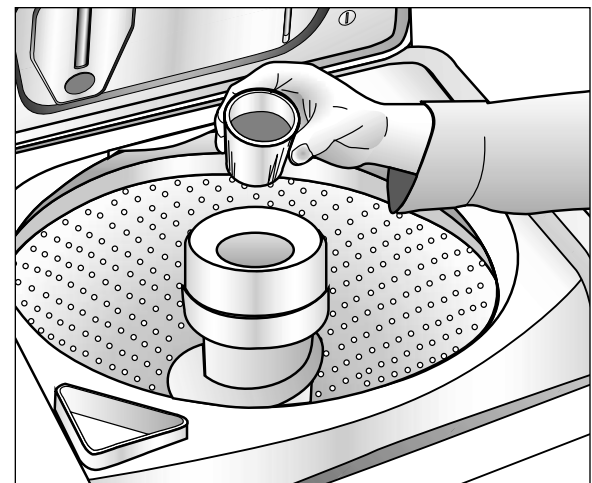
Fabric Softener Dispenser

This dispenser automatically releases liquid fabric softener at the proper time during the cycle. To use, follow these steps:

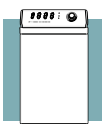
1. Pour liquid fabric softener into the dispenser using the amount recommended on the package.
2. Add warm water to the dispenser until it reaches the MAX line.

NOTE:

- Do not stop the washer during the first spin. This will cause the dispenser to empty too soon.
- Never pour fabric softener directly on the load. It will leave spots and stains.
- Use the dispenser for liquid fabric softeners only. Clean the area in and around the dispenser frequently with hot water, detergent and a soft brush.



Pour liquid fabric softener into cup and dilute with warm water.



Operating Tips

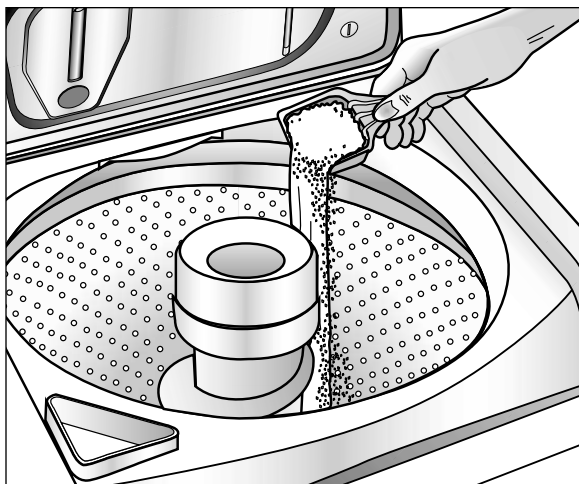
For detailed information on sorting, pretreating stains, etc., see the enclosed Laundry Tips pamphlet.

Detergent

- Use either liquid or granular laundry detergent. **For best results, be sure detergent is added to the washer BEFORE the load and be sure wash water is above 65° F.**
- Use the correct amount of detergent for the load size, soil level and water conditions. Use more detergent if you have hard water and very soiled loads.

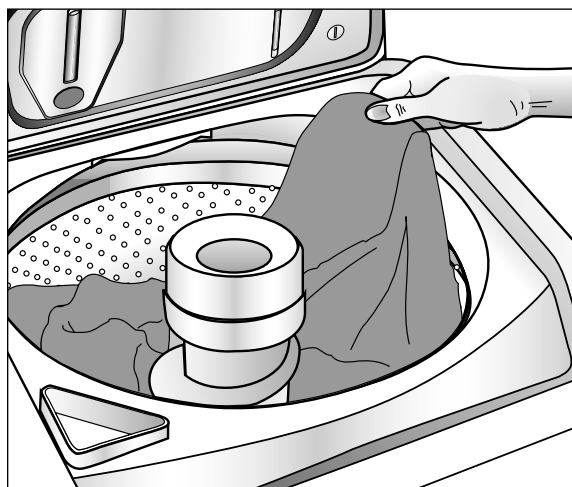
If you have soft water or a lightly soiled load, use less detergent. (See manufacturer's instructions.)

- Wipe up any detergent spills on the washer.



Loading

- Put dry, unfolded clothes loosely in the tub, up to the top row of holes for a maximum load.
- Do not wrap large items like sheets around the agitator.
- Mix large and small items for best circulation. Wash bulky items like blankets separately.
- When laundering permanent press items or items of delicate construction, washable woolens or loosely knit items, never use less than the MEDIUM water level setting. This will minimize shrinkage, wrinkling and pulling of seams.
- For best results, add the detergent to washtub before adding the load.
- Close lid carefully to avoid slamming.



Additional Tips

- If the washer stops during the spin, it may be due to an unevenly distributed load. If this happens, push in the control knob, open the lid, redistribute the load, close the lid and pull out the control knob. The spin will resume at the point it was interrupted.
- The washer will pause briefly throughout each cycle. These pauses are normal.
- This washer is designed so that it will not agitate or spin when the lid is open. It will, however, fill with the lid open so water is available for pretreating stains or diluting fabric softener.
- If you open the lid during a cycle, the washer will stop. When the lid is closed and the control knob pulled out, the washer will continue the cycle at the point it was interrupted.



Care and Cleaning

Turn off the water faucets after finishing the day's washing. This will shut off the water supply to the washer and prevent the unlikely possibility of damage from escaping water.

Use a soft cloth to wipe up all detergent, bleach or other spills as they occur.

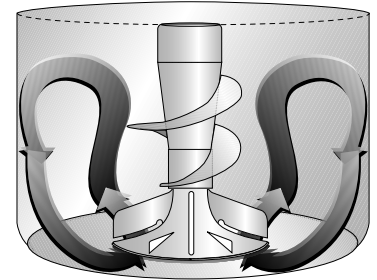
Clean the following as recommended:

Control Panel – clean with a soft, damp cloth and glass cleaner. Do not use abrasive powders or cleaning pads.

Cabinet – clean with soap and water.

Interior – hard water deposits may be removed, if needed, using a recommended cleaner labeled washer safe.

Lint Filter – it is self-cleaning and requires no maintenance. The filter is located under the agitator on the bottom of the washtub. During the wash and rinse portion of the cycle, lint is collected on the filter. Then during the spin and drain the filter is cleaned automatically.



Storing the Washer

Washers can be damaged if water is not removed from hoses and internal components before storage. Prepare the washer for storage as follows:

- Select the **NORMAL** cycle for regular fabrics and add one cup of chlorine bleach OR white vinegar to a full load of water without clothes. Run the washer through a complete cycle. (Do not mix bleach and vinegar in the same wash. Hazardous fumes can form.)

- Turn the water faucets off and disconnect the inlet hoses.
- Advance the cycle control knob to **Spin** and lower the drain hose to eliminate any water that may be in the drain hose.
- Disconnect the washer from the electrical supply and leave the washer lid open to let air circulate inside the tub.



Water Use

REGULAR CYCLE

Super	Approx. 40 gallons (33 Imperial gallons; 151 liters)
Large (select models)	Approx. 36 gallons (30 Imperial gallons; 136 liters)
Medium	Approx. 32 gallons (27 Imperial gallons; 121 liters)
Small (select models)	Approx. 28 gallons (23 Imperial gallons; 106 liters)
Mini	Approx. 22 gallons (18 Imperial gallons; 83 liters)

PERMANENT PRESS CYCLE

Super	Approx. 43 gallons (36 Imperial gallons; 163 liters)
Large (select models)	Approx. 39 gallons (32 Imperial gallons; 148 liters)
Medium	Approx. 35 gallons (29 Imperial gallons; 132 liters)
Small (select models)	Approx. 31 gallons (26 Imperial gallons; 117 liters)
Mini	Approx. 25 gallons (20 Imperial gallons; 95 liters)



Before You Call.....

For problem laundry solutions (i.e. fabric damage, residue, tangling) and special laundry care procedures, see the enclosed Laundry Tips pamphlet.

Check these points if your washer...

Won't Fill

- Plug cord into live electrical outlet.
- Check fuse or reset circuit breaker.
- Turn the control knob to proper cycle and pull knob out to start the washer. If equipped with buttons, be sure they are fully depressed.
- Turn both faucets on fully.
- Straighten inlet hoses.
- Disconnect hoses and clean screens. Hose filter screens may be plugged.

Won't Agitate

- Check fuse or reset circuit breaker.
- Make sure lid is completely closed.
- Turn the control knob to proper cycle and pull knob out to start the washer. If equipped with buttons, be sure they are fully depressed.
- Close lid and pull knob out to start the washer. For your safety, washer will not agitate or spin unless the lid is closed.
- The washer is equipped with a lid switch failure detector. If the lid switch should malfunction, the detector will stop operations for your safety. Call for service.

Won't Spin or Drain

- Unevenly distributed load. Redistribute the load, close the lid and pull knob out. Check for leveling. Be sure water level is acceptable for load size.
- Check fuse or reset circuit breaker.
- Straighten drain hoses. Eliminate kinked hoses. If there is a drain restriction, call for service.
- Close lid and pull knob out to start the washer. For your safety, washer will not agitate or spin unless the lid is closed.
- Suds lock – caused by too much suds. Rewash without detergent. Use correct amount of a low-sudsing detergent.
- The washer is equipped with a lid switch failure detector. If the lid switch should malfunction, the detector will stop operations for your safety. Call for service.

Load is Wet

- The washer may have sensed an unevenly distributed load. Redistribute the load in the tub, close the lid and pull the control knob out.
- A normal spin speed is recommended for heavy loads like jeans or towels.

(Continued on next page.)



Before You Call (continued).....

Check these points if your washer...

Stops

- Unevenly distributed load. Redistribute the load, close the lid and pull knob out. Check for leveling. Be sure water level is acceptable for load size.
- Plug cord into live electrical outlet.
- Check fuse or reset circuit breaker.
- Turn the control knob to proper cycle and pull knob out to start the washer. If equipped with buttons, be sure they are fully depressed.
- Close lid and pull knob out to start the washer. For your safety, washer will not agitate or spin unless lid is closed.
- This may be a pause or soak period in the cycle. Wait briefly and it may start.
- The washer is equipped with a lid switch failure detector. If the lid switch should malfunction, the detector will stop fill operations for your safety. Call for service.

Leaks Water

- Make sure hose connections are tight.
- Make sure end of drain hose is correctly inserted and secured to drain facility.
- Avoid extended soaking – soak for 30 minutes or less.
- Avoid overloading.

Is Noisy

- Be sure washer is leveled properly as outlined in installation manual.
- Weak floors can cause vibration and walking.
- Be sure rubber feet are installed on leveling legs.
- A clicking sound may be the agitator as it moves the load down through the cleaning zone for maximum cleaning effectiveness. This sound will vary from load to load. This is normal.
- Operating sounds will vary depending on agitation speed.

Fills with the Wrong Temperature Water

- Turn both faucets on fully.
- If equipped with a temperature selector knob, be sure it is set directly on a temperature setting and not between settings.
- Make sure temperature selection is correct.
- Make sure hoses are connected to correct faucets and inlet connections. Be sure water supply is regulated correctly. Flush water line before filling washer.
- Check the water heater. It should be set to deliver a minimum 120°F (49°C) hot water at the tap. Also check water heater capacity and recovery rate.
- Disconnect hoses and clean screens. Hose filter screens may be plugged.

*For further assistance contact Maytag Appliances Sales Company, Maytag Customer Assistance:
 U.S. 1-800-688-9900 or Canada 1-800-688-2002
 U.S. customers using TTY for deaf, hearing impaired or speech impaired, call 1-800-688-2080.*



Notes.....



Automatic Washer Warranty

Full One Year Warranty

For **one (1) year** from the date of original retail purchase, any part which fails in normal home use will be repaired or replaced free of charge.

Limited Parts Warranty

After the first year from the date of original retail purchase through the time periods listed below, the designated parts which fail in normal home use will be repaired or replaced free of charge for the part itself, with the owner paying all other costs, including labor, mileage and transportation.

Second Year – All parts.

Third through Fifth Year – The drive motor.

Third through Tenth Year – All parts of the transmission assembly.

Additional Limited Warranty Against Rust

Should an exterior cabinet, including the top, lid, and baseframe, rust during the five year period starting from the date of original retail purchase, repair or replacement will be made free of charge during the first year. After the first and through the fifth year, repair or replacement will be made free of charge for the part itself, with the owner paying all other costs, including labor, mileage and transportation.

This full warranty and the limited warranties apply when the appliance is located in the United States or Canada. Appliances located elsewhere are covered by the limited warranties only, which include parts which fail during the first year.

To Receive Warranty Service

To locate an authorized service company in your area contact the Maytag dealer from whom your appliance was purchased; or call Maytag Appliances Sales Company, Maytag Customer Assistance at the number listed below. Should you not receive satisfactory warranty service, please call or write:

Maytag Appliances Sales Company
Attn: CAIR® Center
P.O. Box 2370
Cleveland, TN 37320-2370

U.S. 1-800-688-9900

Canada 1-800-688-2002

U.S. customers using TTY for deaf, hearing impaired or speech impaired, call 1-800-688-2080.

When contacting Maytag Appliances Sales Company, Maytag Customer Assistance about a service problem, please include the following:

- (a) Your name, address and telephone number;
- (b) Model number and serial number (found on the back center of the control panel) of your appliance;
- (c) Name and address of your dealer and the date the appliance was purchased;
- (d) A clear description of the problem you are having.
- (e) Proof of purchase.

What is not covered by these warranties:

1. Conditions and damages resulting from any of the following:
 - a. Improper installation, delivery, or maintenance.
 - b. Any repair, modification, alteration or adjustment not authorized by the manufacturer or an authorized servicer.
 - c. Misuse, abuse, accidents, or unreasonable use.
 - d. Incorrect electric current, voltage or supply.
 - e. Improper setting of any control.
 2. Warranties are void if the original serial numbers have been removed, altered, or cannot be readily determined.
 3. Products purchased for commercial or industrial use.
 4. The cost of service or service call to:
 - a. Correct installation errors.
 - b. Instruct the user on proper use of the product.
 - c. Transport the appliance to the servicer.
 5. Consequential or incidental damages sustained by any person as a result of any breach of these warranties.
- Some states do not allow the exclusion or limitation of consequential or incidental damages, so the above exclusion may not apply.

User's Guides, service manuals and parts catalogs are available from Maytag Appliances Sales Company, Maytag Customer Assistance.

MAYTAG • One Dependability Square • Newton, Iowa 50208

